

# Cut water heating costs, Increase efficiency, Dial in comfort.



Cut your water heating energy costs by up to 60% by upgrading to an energy-efficient **heat pump water heater**.

## Save Energy

Heat pump water heaters save energy by moving heat from the surrounding air into the water tank.

## Increased Control

Easily set temperature and change operation modes to maximize efficiency with its unique control panel.

## Maximize Efficiency

The control panel allows you to increase or scale back the amount of hot water you're using. This helps save money while on vacation and increases comfort when you have a house full of guests.

## Get Money Back

The PUD offers a \$300 rebate for qualifying Tier 1 water heaters and a \$600 rebate for qualifying Tier 2 or Tier 3 water heaters. These can be installed by a homeowner or participating installer. Ask us for a list of qualified models.

*Program is limited to available funding and may change without notice.*

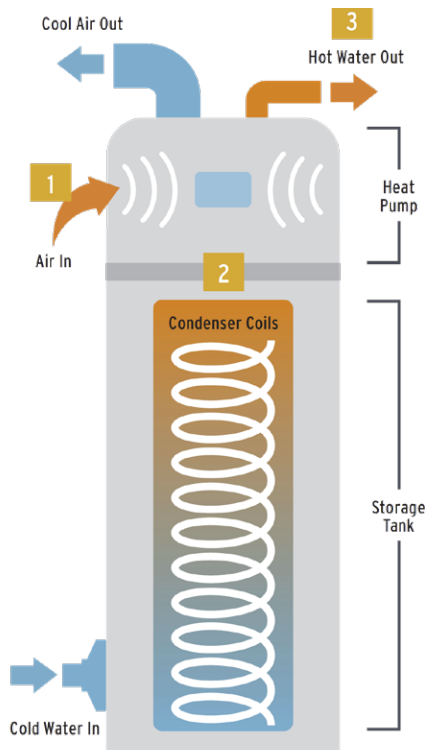
*updated 10/25/2019*



We partner with Efficiency Services Group to bring you this rebate program.

Efficiency Services Group Contact Info:

Phone: (888) 883-9879 • Email: [rebates@esgroupllc.com](mailto:rebates@esgroupllc.com)



A heat pump water heater pulls heat from the surrounding air and transfers it to water in the tank.

- 1 Fans pull warmth from the air into the heat pump.
- 2 The heat is transferred to water in the storage tank.
- 3 Hot water is now ready to use and cool air is vented out.

Heat pump water heaters use heat pump technology to heat water twice as efficiently as a standard electric water heater. This means double the hot water for the same amount of energy.

## Program Requirements

- Must meet efficiency requirements. A list of qualifying models can be found at [crpud.net/hpwh](http://crpud.net/hpwh).
- May be installed during construction of a new home, or may replace an electric storage tank in an existing home.

## Step-By-Step Process

1. **Decide whether to install your new heat pump water heater yourself or have it installed professionally.** A list of participating installers can be found at [hotwatersolutionsnw.org](http://hotwatersolutionsnw.org). A list of tips for people planning their own installations can be found at [crpud.net/hpwh](http://crpud.net/hpwh).
2. **Install your heat pump water heater.** Then, forward a completed Heat Pump Water Heater Participation Form and an invoice to us to review.
3. **Complete your installation.** Upon receipt of your installation documentation, we will call you to schedule an inspection.
4. **Receive your rebate.** We will process your rebate within 6-8 weeks of completing the inspection and receiving all required paperwork. Rebate may not exceed 70% of total heat pump water heater cost and does not cover installation costs.